



National Power Corporation

SUPPLEMENTAL / BID BULLETIN NO. 2022-GOODS-056

to the Bidding Documents for the:

A6M FABRICATION OF TRASH RACKS FOR INTAKE GATE UNIT NO. 4

MG-A7M22-094/ PB-2022-011, ITEM NO. 3)

(Published on June 15, 2022, PhilGEPS)

All prospective bidders are hereby informed of the changes in some provisions of the tender documents as follows:

Clarification:

1. *Section V. Special Conditions of Contract
GCC Clause No. 4*

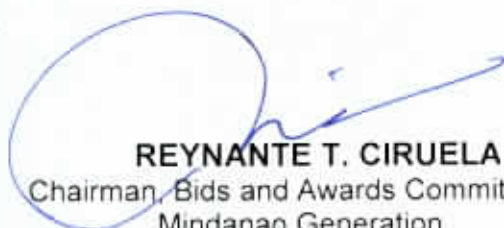
From	To
<i>The inspections and tests that will be conducted are: NONE</i>	<ol style="list-style-type: none"> 1. <i>During fabrication, end-user/CMTSD shall conduct visual inspection to verify welding integrity and if necessary to perform NDT testing.</i> 2. <i>At the delivery, bump testing/NDT testing at the welding joints.</i>

2. *Detailed Drawings attached.*

Notes:

1. *All other terms published in the previous publication that are not amended by this publication shall remain the same.*
2. *For further clarification, you may contact us at (063)223-4604.*

For the information and guidance of all concerned.


REYNANTE T. CIRUELA
 Chairman, Bids and Awards Committee
 Mindanao Generation

Date of Publication: June 29, 2022





NATIONAL POWER CORPORATION

MINDANAO GENERATION
AGUS 6/7 HEPC

BRGY. MA. CRISTINA, PUERTAS LIJUAN CITY

PROJECT TITLE

FABRICATION OF
TRASHRACK FOR INTAKE
GATE UNIT NO. 4

PREPARED BY/

W. A. ALFECHE

CHECKED & REVIEWED BY/

M. B. JABAY

RECOMMENDING
APPROVAL/

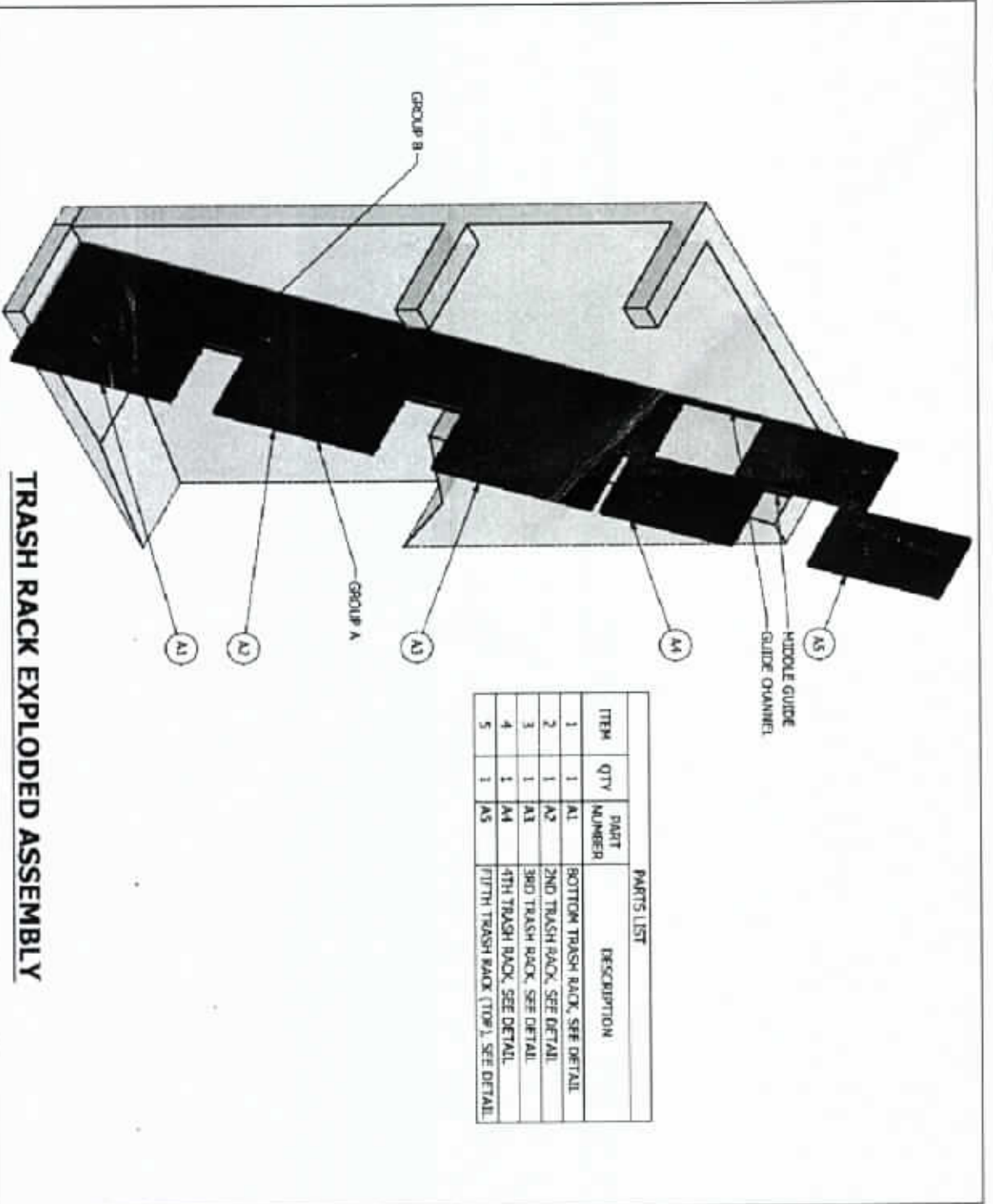
ATTY. E. L. RAMIREZ

APPROVED BY/

E. A. VELOSO JR.

SHEET NO.

1
8



TRASH RACK EXPLODED ASSEMBLY

PARTS LIST		
ITEM	QTY	PART NUMBER
1	1	A1
2	1	A2
3	1	A3
4	1	A4
5	1	A5

MIDDLE GUIDE
GUIDE CHANNEL

DR# 267476



NATIONAL POWER CORPORATION
MINDANAO GENERATION
AGUS 6/7 HEPC
 BRGY. MA. CRISTINA, FUENTES ILAGAN CITY

PROJECT TITLE
FABRICATION OF TRASHRACK FOR INTAKE GATE UNIT NO. 4

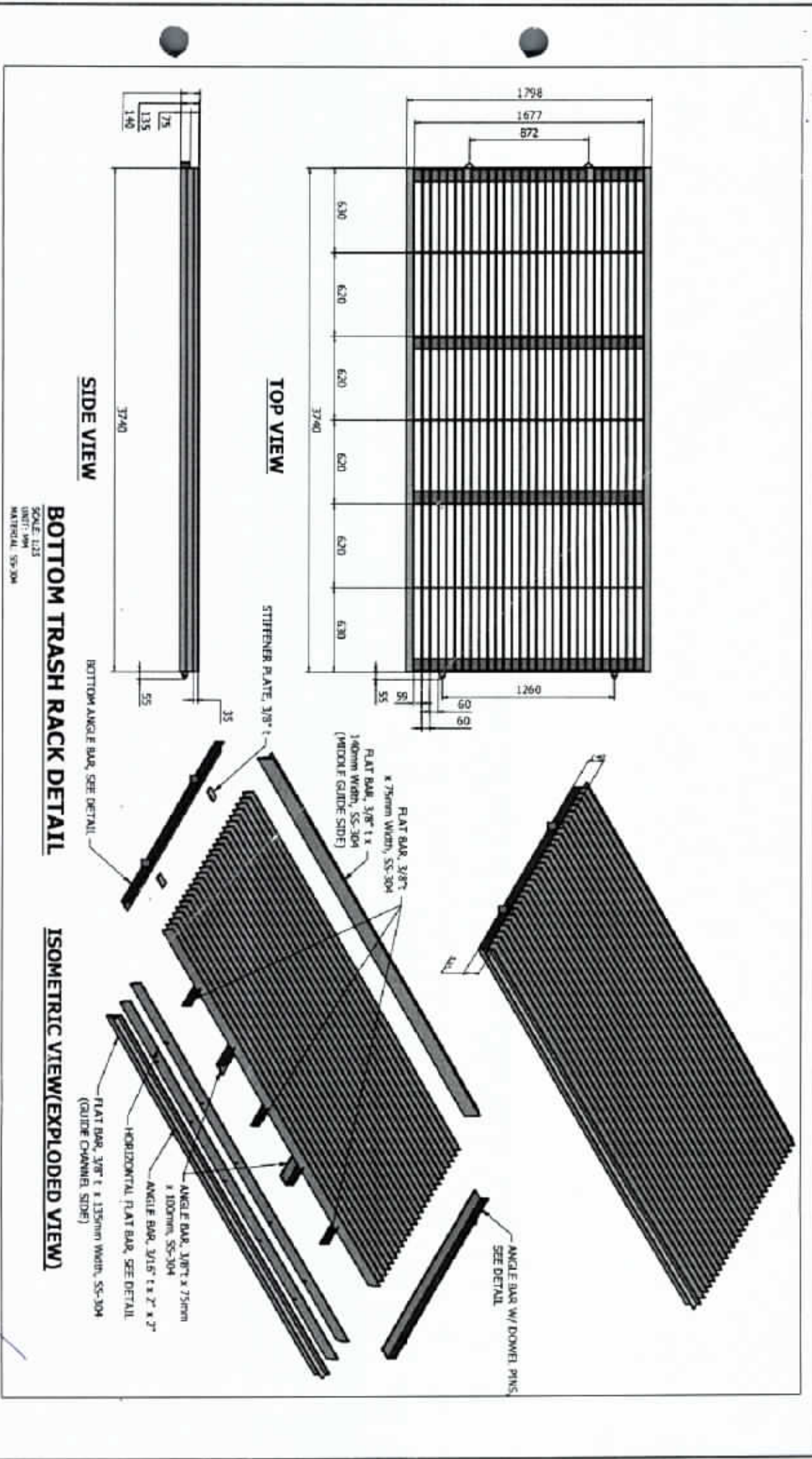
PREPARED BY:
 W. A. ALFECHÉ

CHECKED & REVIEWED BY:
 M. B. JABAY

RECOMMENDING APPROVAL:
 ATTY. EL RAMIREZ

APPROVED BY:
 E. A. VELOSO JR.

SHEET NO.
 2
 8





NATIONAL POWER CORPORATION
MINDANAO GENERATION
AGUS 6/7 HEPC
 BRGY. MA. CRISTINA, FUENTES LUZAN CITY

PROJECT TITLE
FABRICATION OF TRASHRACK FOR INTAKE GATE UNIT NO. 4

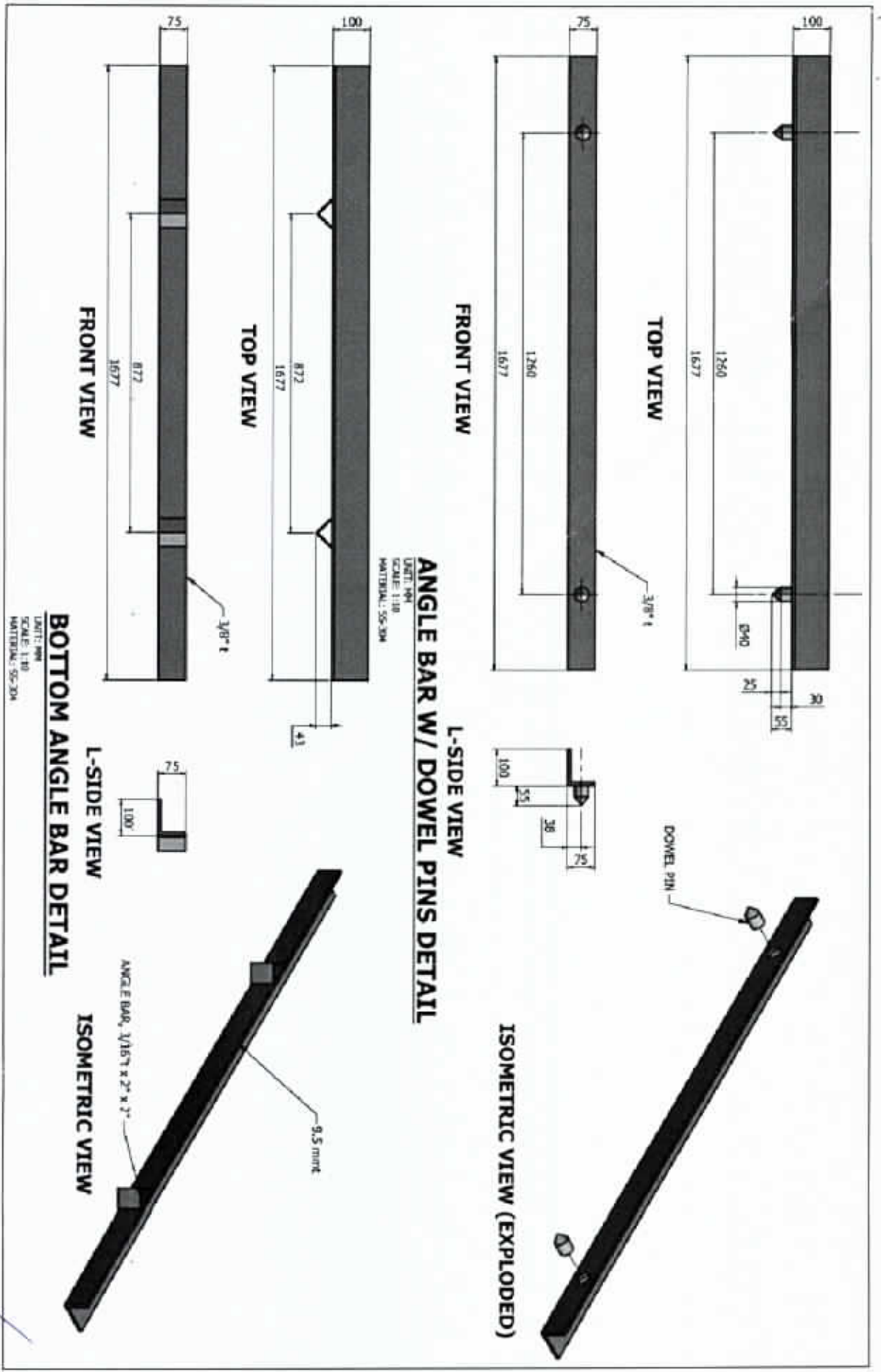
PREPARED BY:
W. A. ALFECHÉ

CHECKED & REVIEWED BY:
M. B. JABAY

RECOMMENDING APPROVAL:
ATTY. EL RAMIREZ

APPROVED BY:
E. A. VELOSO JR.

SHEET NO.
3
8



ANGLE BAR W/ DOWEL PINS DETAIL

ISOMETRIC VIEW (EXPLODED)

ISOMETRIC VIEW

BOTTOM ANGLE BAR DETAIL

L-SIDE VIEW

TOP VIEW

FRONT VIEW

TOP VIEW

FRONT VIEW



NATIONAL POWER CORPORATION
MINDANAO GENERATION
AGUS 6/7 HEPC
 BRGY. MA. CRISTINA, FUENTES LUGAN CITY

PROJECT TITLE
FABRICATION OF
TRASHRACK FOR INTAKE
GATE UNIT NO. 4

PREPARED BY:
 W. A. ALFECHE

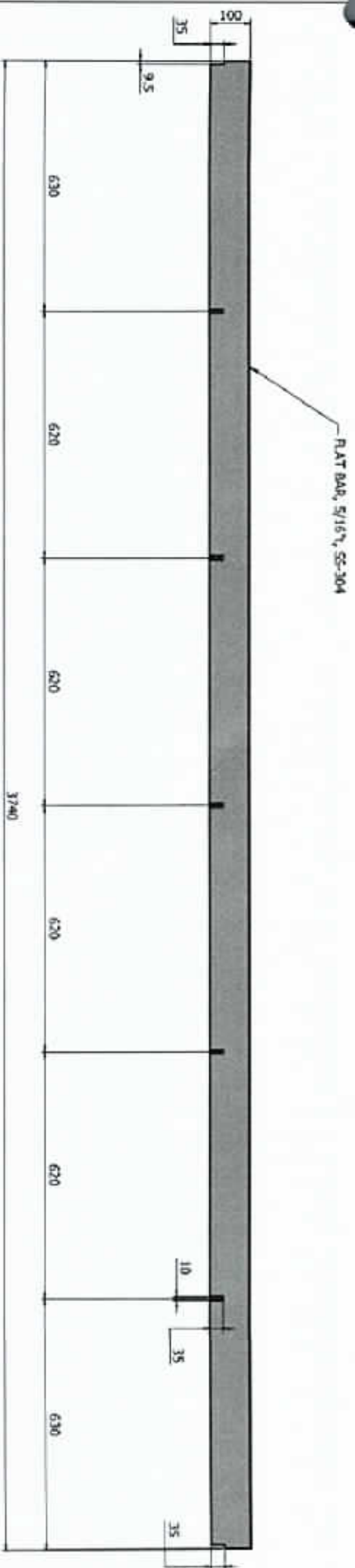
CHECKED & REVIEWED BY:
 M. B. JABAY

RECOMMENDING APPROVAL:
 ATTY. E. L. RAMIREZ

APPROVED BY:
 E. A. VELOSO JR.

SHEET NO.
 4 / 8

HORIZONTAL FLAT BAR DETAIL
 QTY: 27 PCS
 UNIT: MM
 MATERIAL: SS-304





NATIONAL POWER CORPORATION
MINDANAO GENERATION
AGUS 6/7 HEPC
 BRGY. MA. CRISTINA, PUERTAS LUJAN CITY

PROJECT TITLE
FABRICATION OF TRASHRACK FOR INTAKE GATE UNIT NO. 4

PREPARED BY:
 W. A. ALPECHE

CHECKED & REVIEWED BY:
 M. B. JARAY

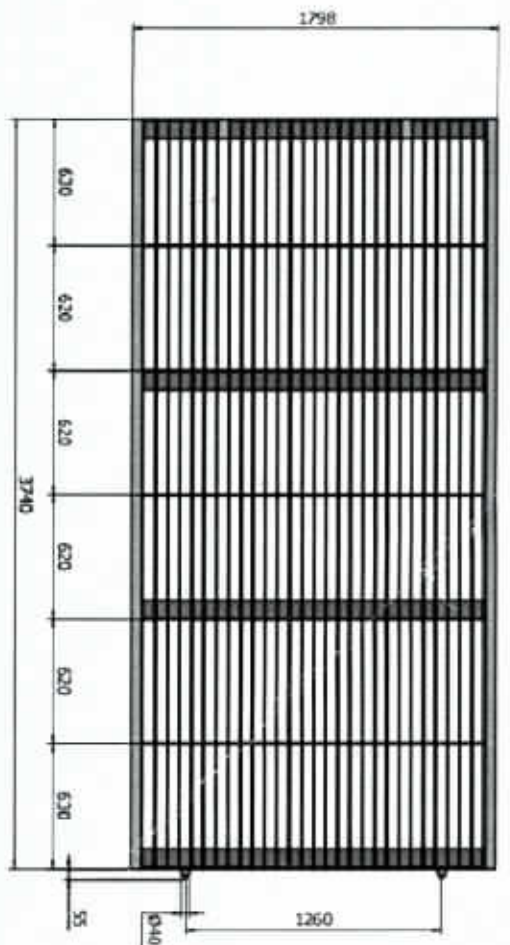
RECOMMENDING APPROVAL:
 ATTY. EL RAMIREZ

APPROVED BY:
 E. A. VELOSO JR.

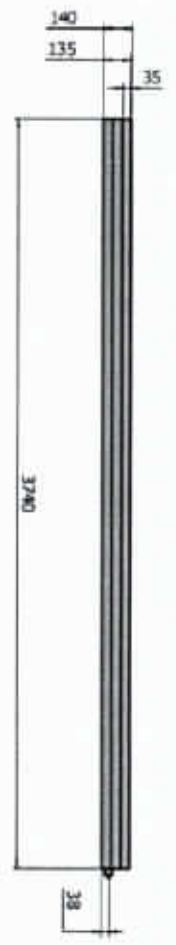
SHEET NO:
 5 / 8

2ND & 3RD TRASH RACK DETAIL

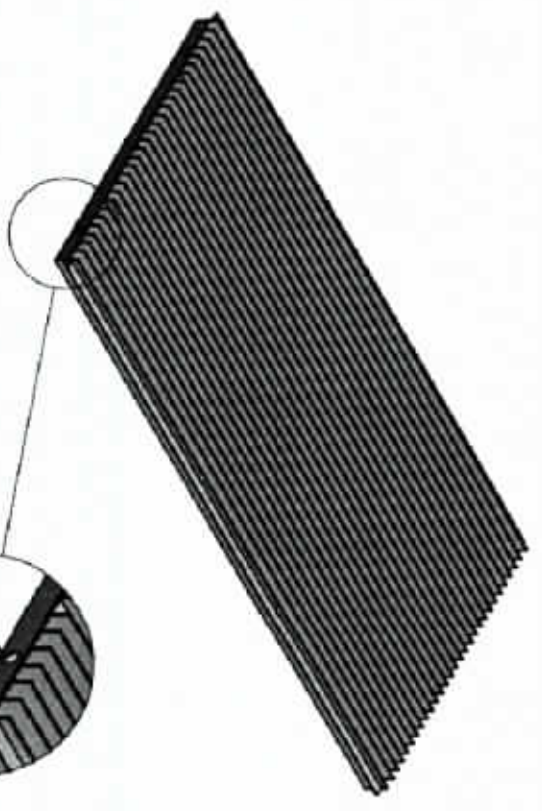
SCALE: 1:25
 UNIT: MM
 MATERIAL: SS 304



TOP VIEW

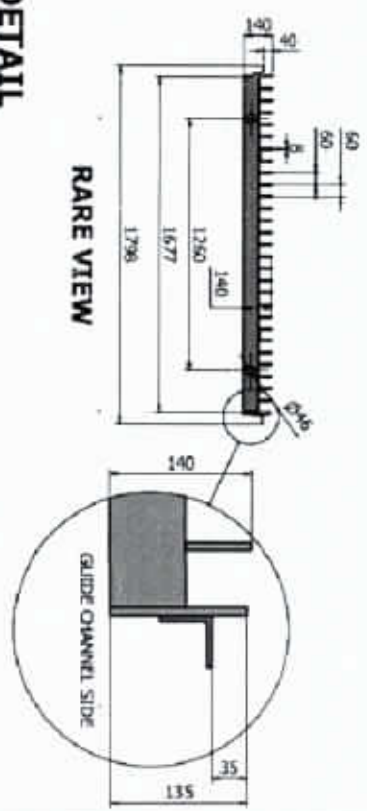


SIDE VIEW



ISOMETRIC VIEW

NOTE: FITTING (TO FIT TO SUCCEEDING TRASH RACK DOWNEL PIN)



RARE VIEW

GLIDE CHANNEL SIDE



NATIONAL POWER CORPORATION
MINDANAO GENERATION
AGUS 6/7 HEPC
 BRGY. MA. CRISTINA, PUERTOS LIBUAN CITY

PROJECT TITLE
FABRICATION OF TRASHRACK FOR INTAKE GATE UNIT NO. 4

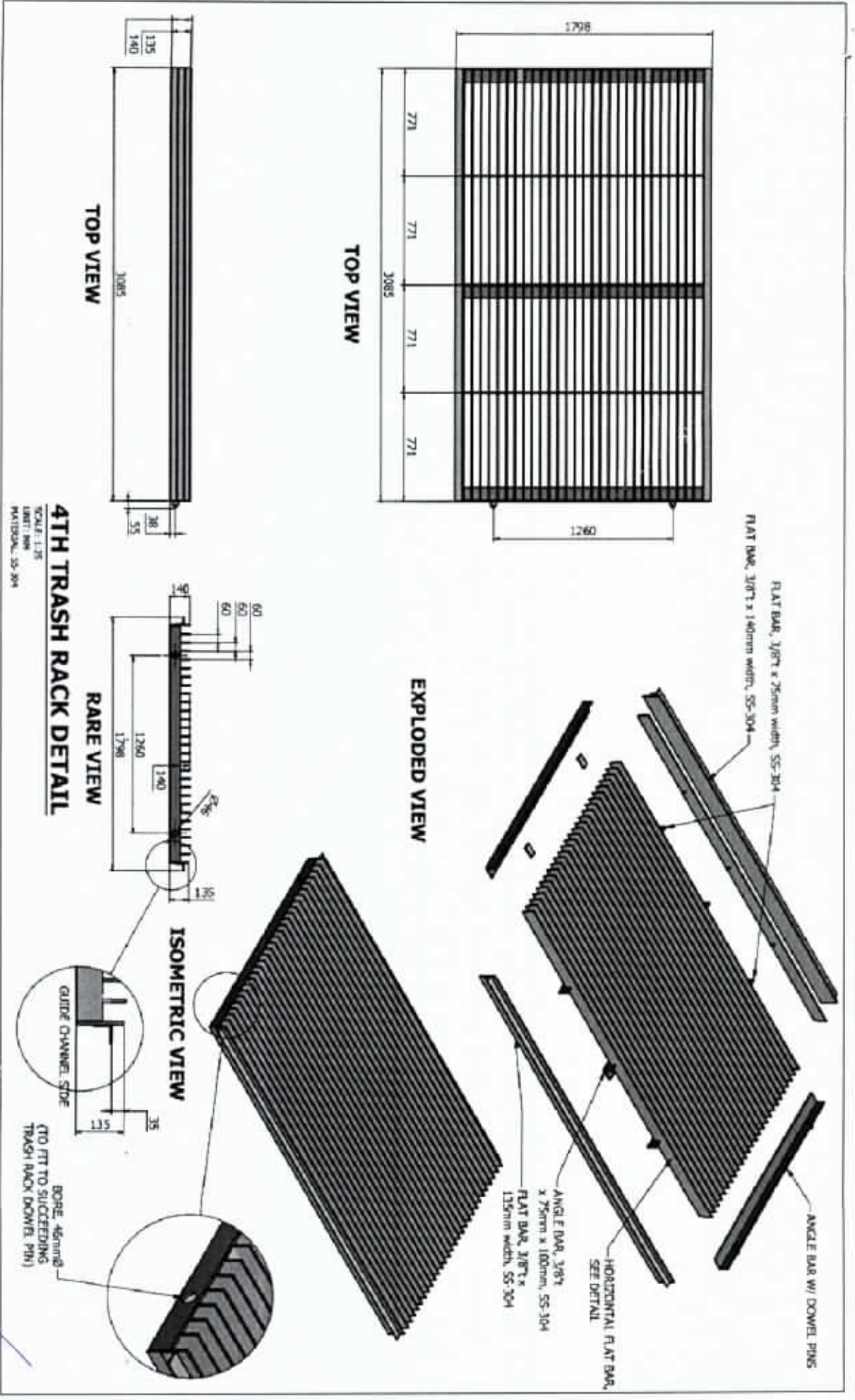
PREPARED BY:
 W. A. ALFECHÉ

CHECKED & REVIEWED BY:
 M. B. JARAY

RECOMMENDING APPROVAL:
 ATTY. EL RAMIREZ

APPROVED BY:
 A. VELOSO JR.

SHEET NO.
 6
 8





NATIONAL POWER CORPORATION
MINDANAO GENERATION
AGUS 6/7 HEPC
 BRGY. MA. CRISTINA, FUENTES ILOAN CITY

PROJECT TITLE
FABRICATION OF
TRASHRACK FOR INTAKE
GATE UNIT NO. 4

LOCATION: AGUS 6 HEPC

PREPARED BY:

W. A. ALFECHÉ

CHECKED & REVIEWED BY:

M. B. JABAY

RECOMMENDING APPROVAL:

ATTY. E.L. RAMIREZ

APPROVED BY:

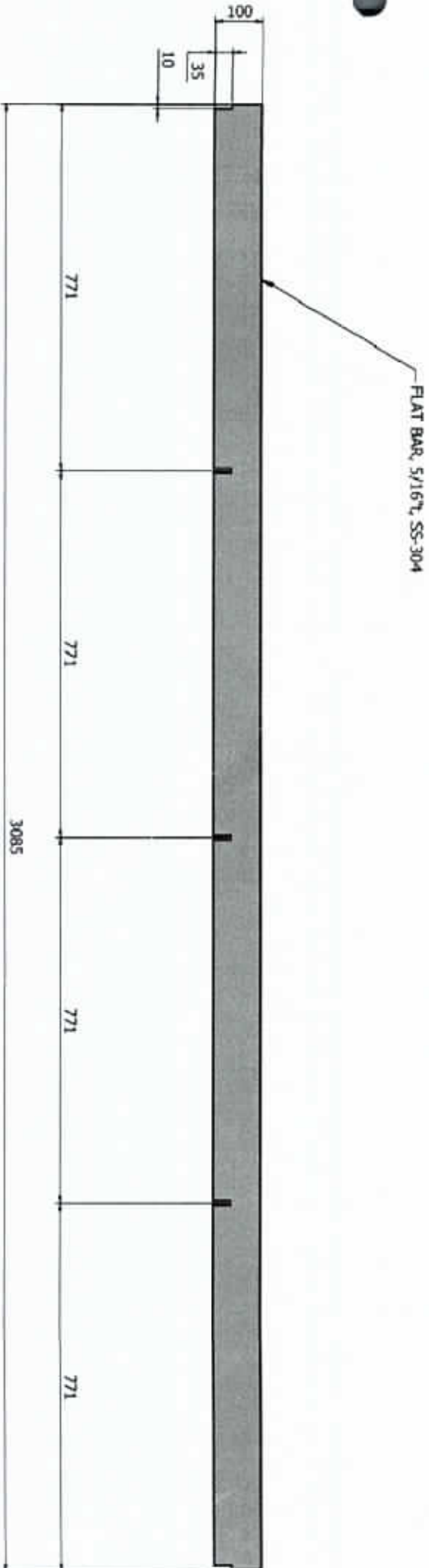
E. A. VELOSO JR.

SHEET NO.

7
8

QTY: 27 PCS
 UNIT: MM
 MATERIAL: SS-304

HORIZONTAL FLAT BAR DETAIL





NATIONAL POWER CORPORATION
MINDANAO GENERATION
AGUS 8/7 HEPC
 BRGY. MAL. CRISTINA, FUENTES LUZAN CITY

PROJECT TITLE
FABRICATION OF TRASHRACK FOR INTAKE GATE UNIT NO. 4
 LOCATION: AGUS 8 HEPC

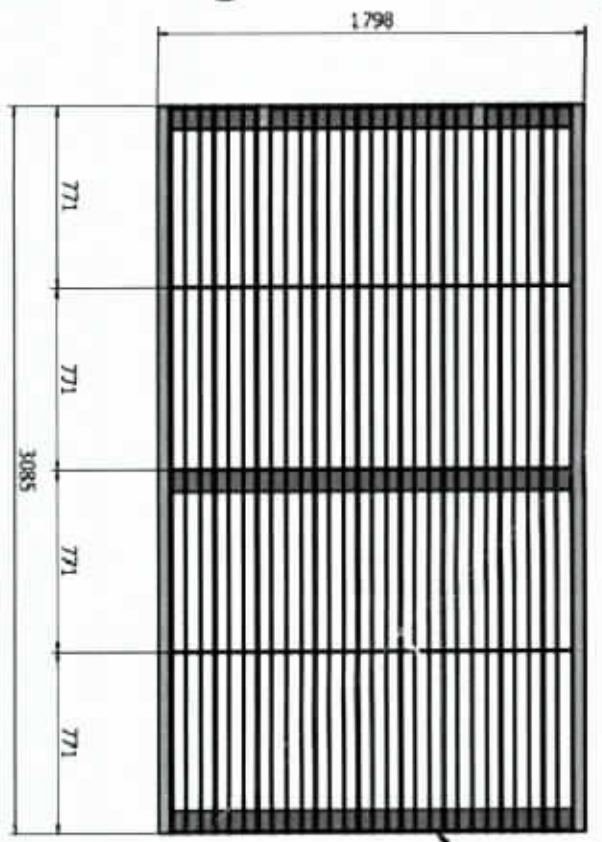
PREPARED BY:
 W. A. ALFECHE

CHECKED & REVIEWED BY:
 M. B. JABAY

RECOMMENDING APPROVAL:
 ATTY. EL RAMIREZ

APPROVED BY:
 EN. A. VELOSO JR.

SHEET NO.
 8



PLAIN ANGLE BAR WITH-OUT DOWEL PINS,
 3/8" x 75mm x 100mm, SS-304

TOP VIEW



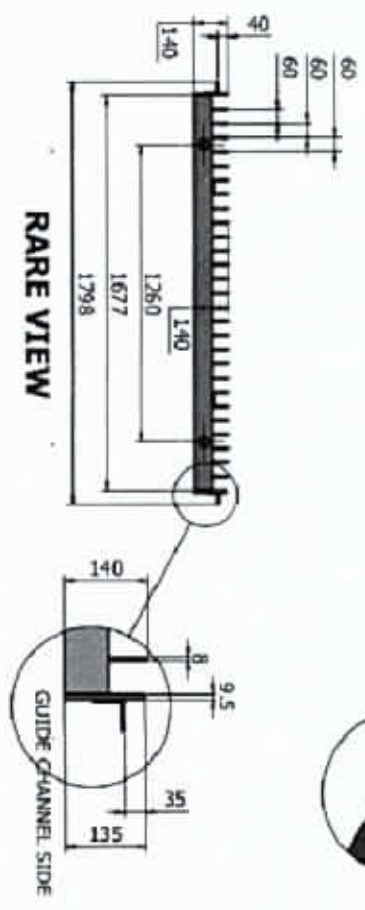
SIDE VIEW



ISOMETRIC VIEW

5TH TRASH RACK (TOP) DETAIL

SCALE: 1/25
 UNIT: MM
 MATERIAL: SS-304



RARE VIEW